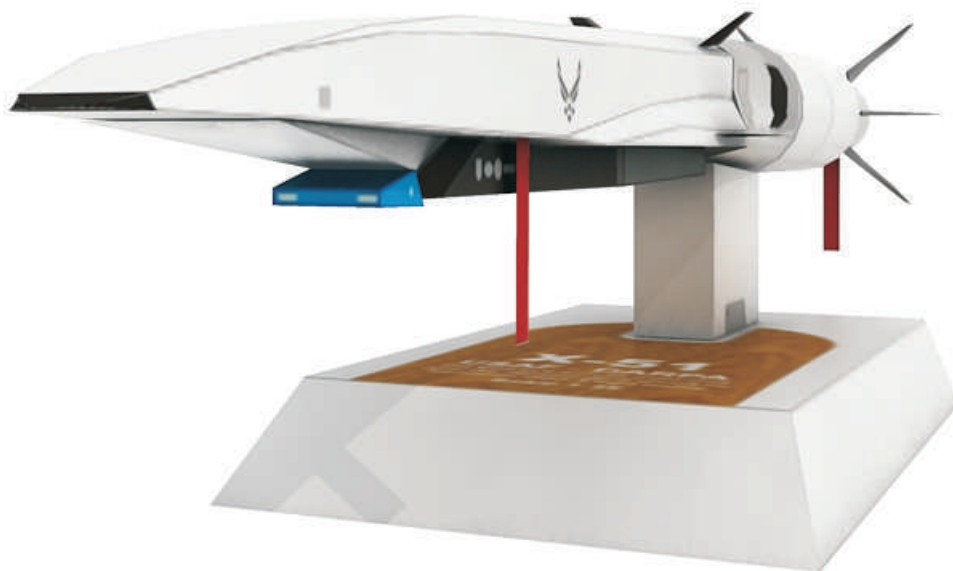


LEGEND

- Glue
- ✱ Cutout - make a hole



Model : No. 0124/III/10



X-51A Waverider

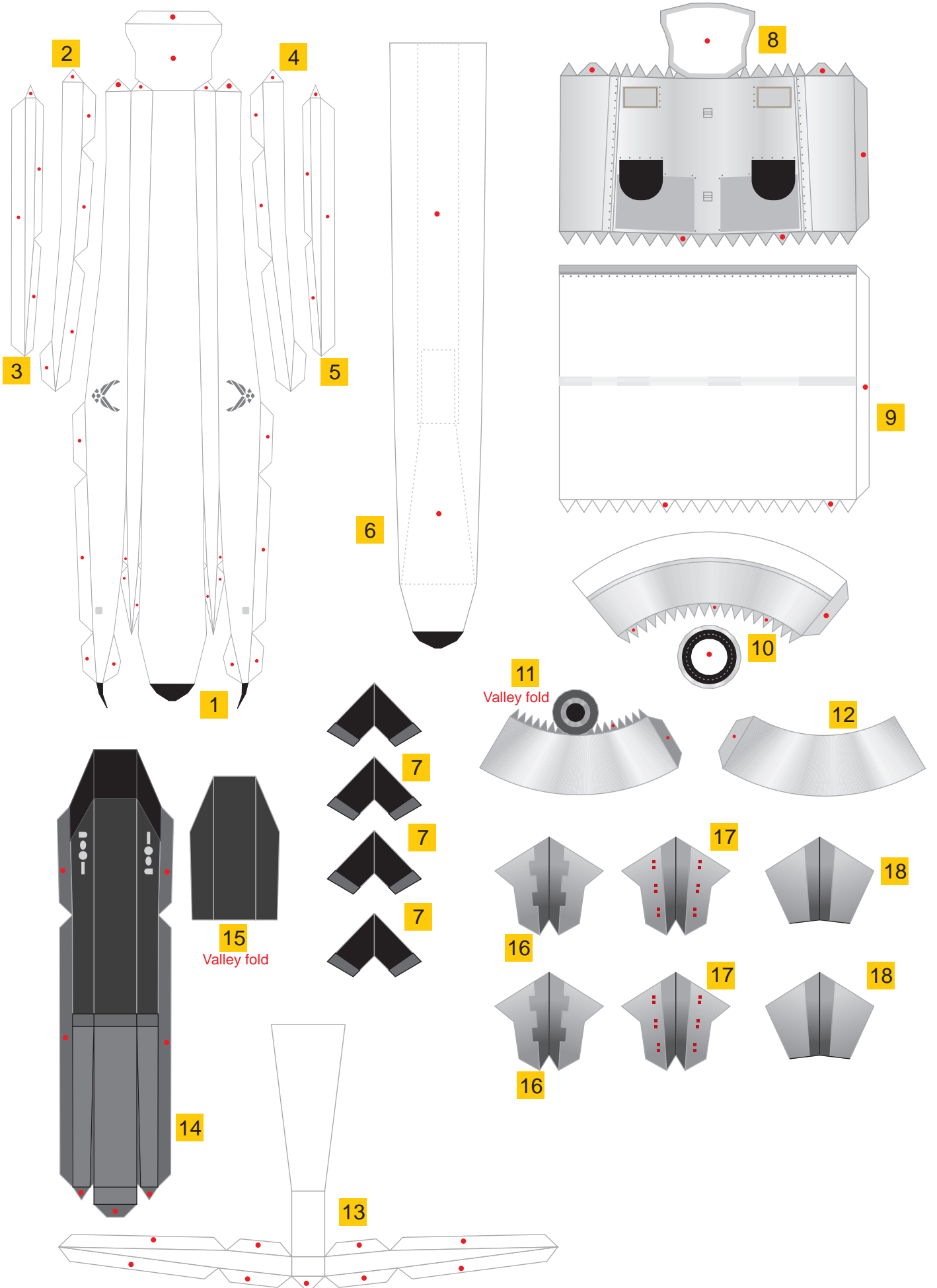
Scale 1:35

The Boeing X-51 is an unmanned scramjet demonstration aircraft for hypersonic (Mach 6, approximately 4,000 mph or 6,400 km/h at altitude) flight testing. The X-51 WaveRider program is run as a cooperative effort of the United States Air Force, DARPA, NASA, Boeing and Pratt & Whitney Rocketdyne. The program is managed by the Propulsion Directorate within the United States Air Force Research Laboratory (AFRL). The X-51 had its first captive flight attached to a B-52 in December 2009. The test vehicle successfully completed its first free-flight on 26 May 2010.

Assembly Instructions - [click here](#)

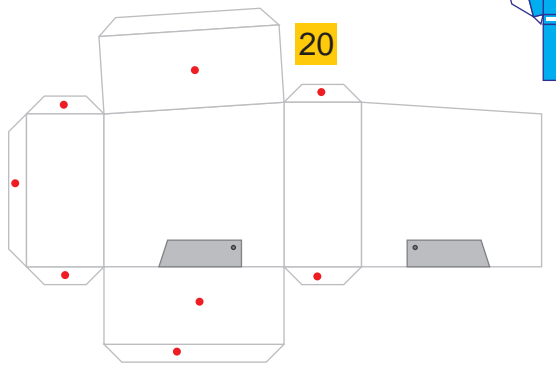
Petunjuk Perakitan

Designed by Julius Perdana - 2010

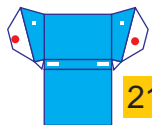




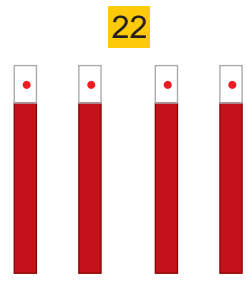
19



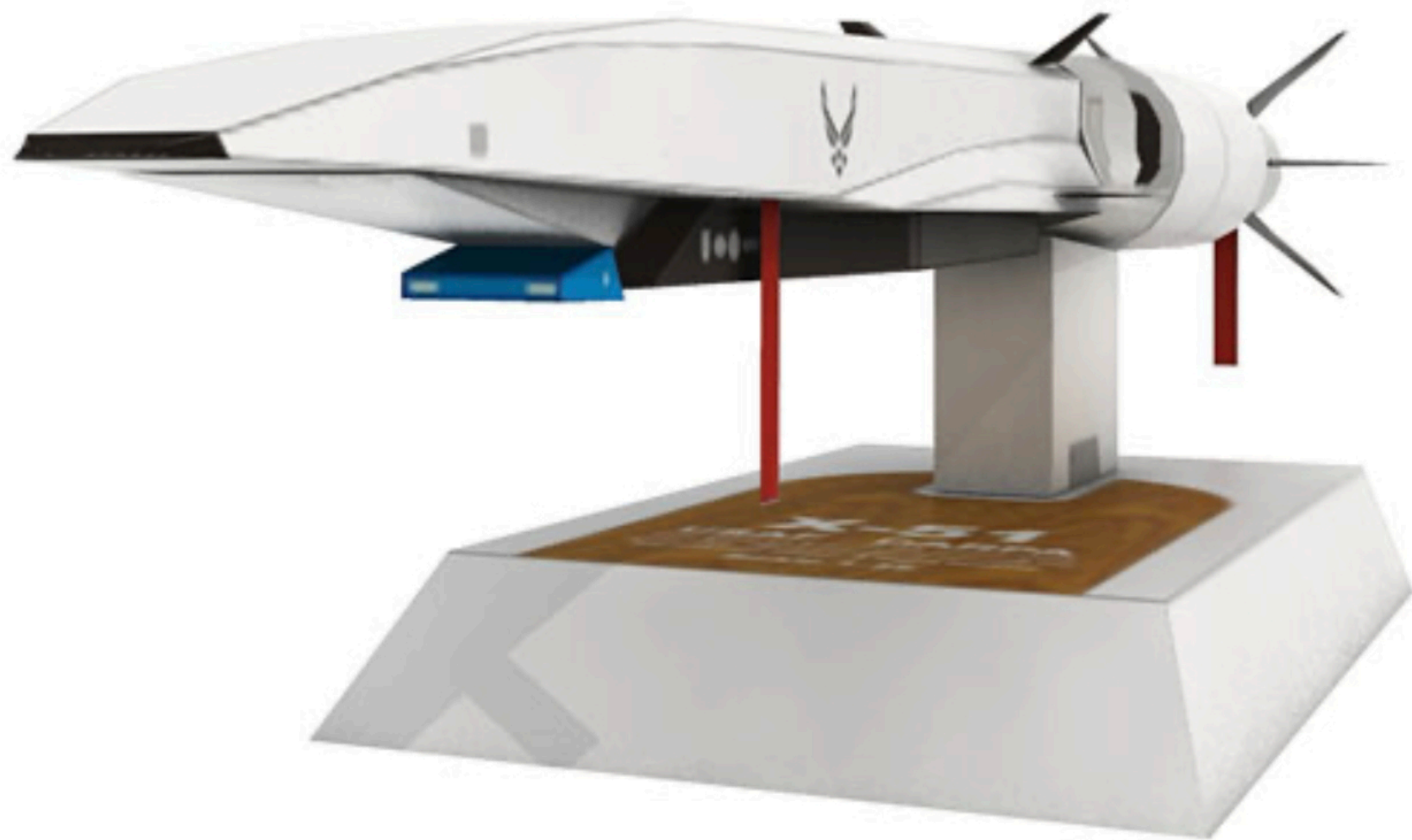
20



21



22

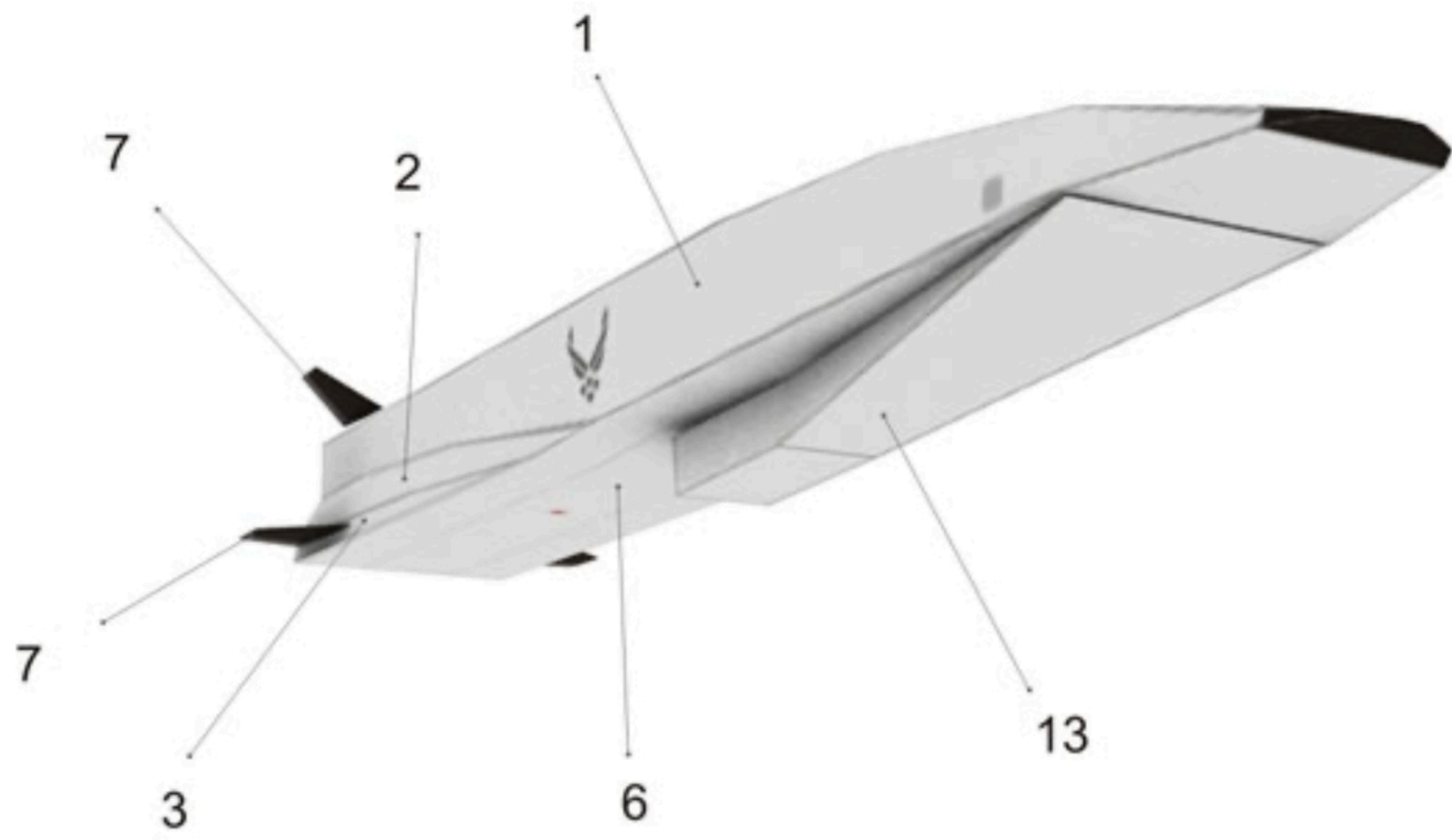


Designed by Julius Perdana



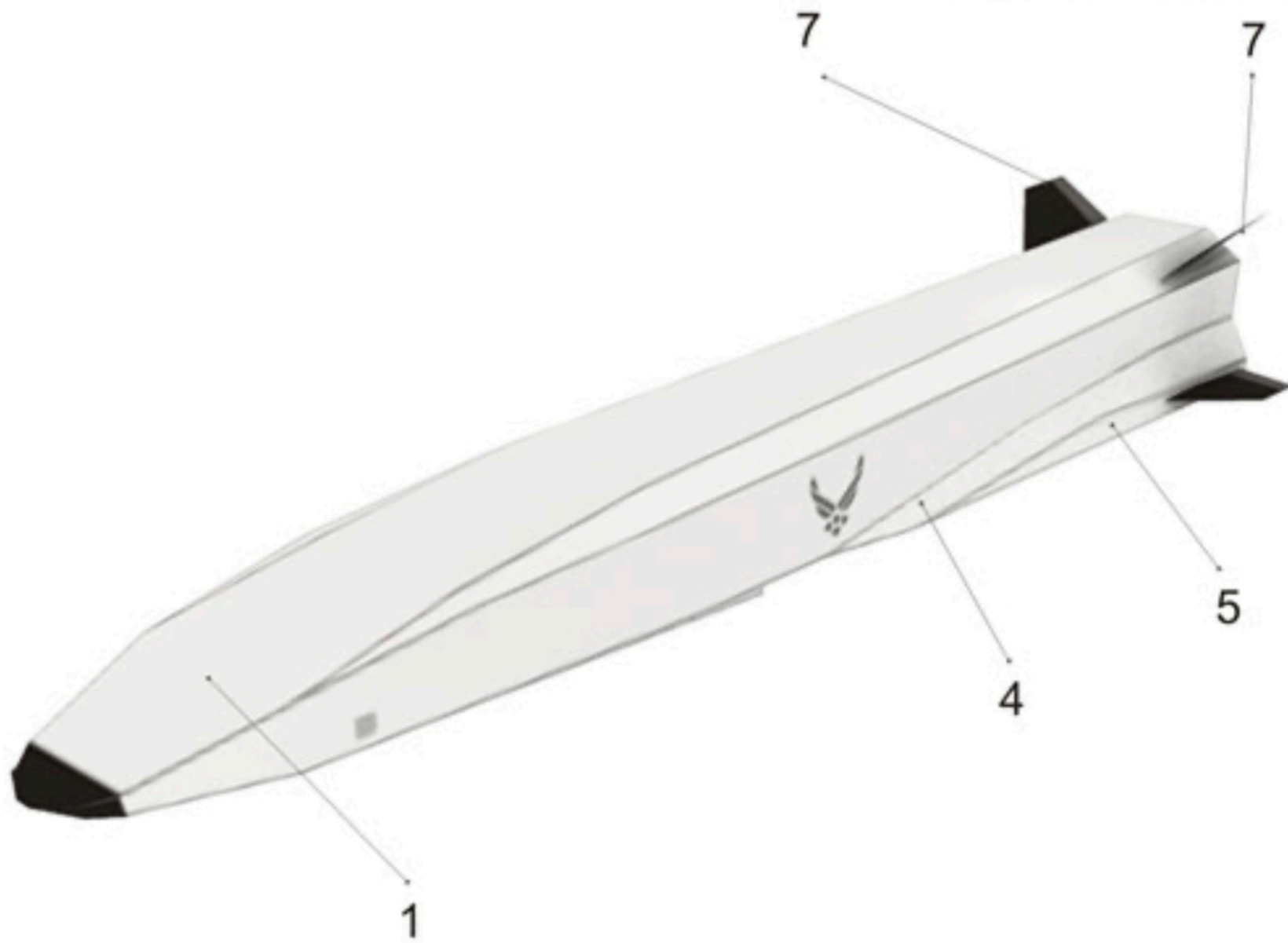
X



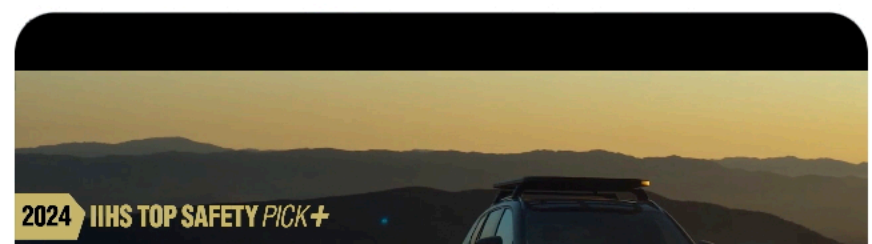


paper-replika.com

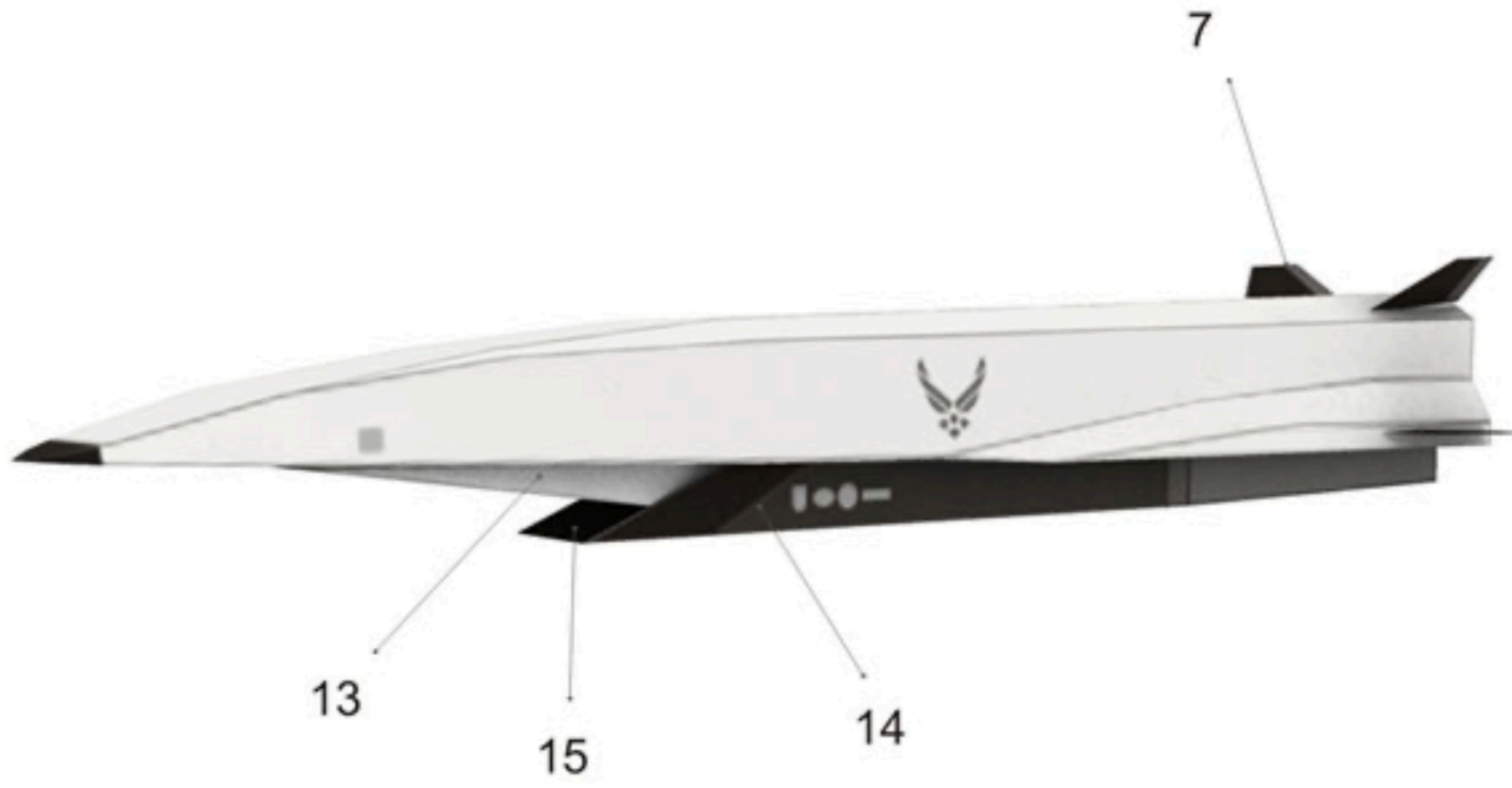
Designed by Julius Perdana



X

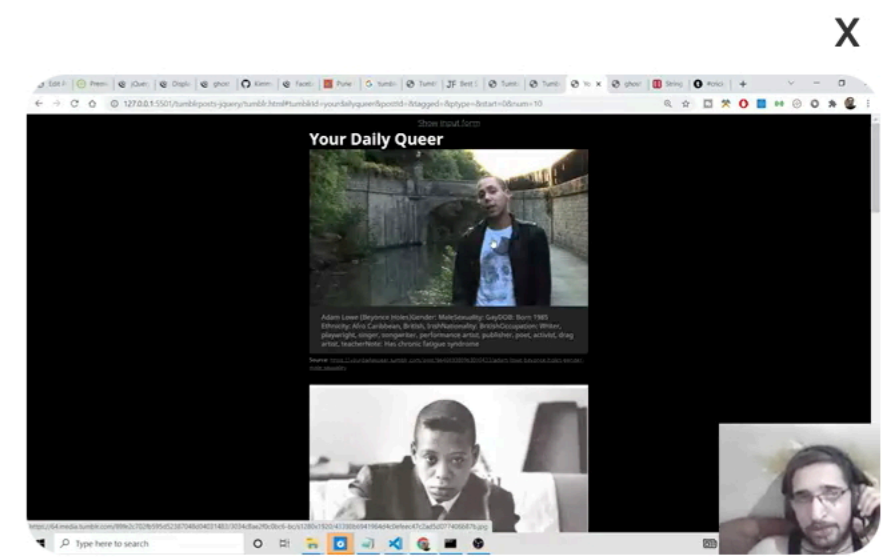
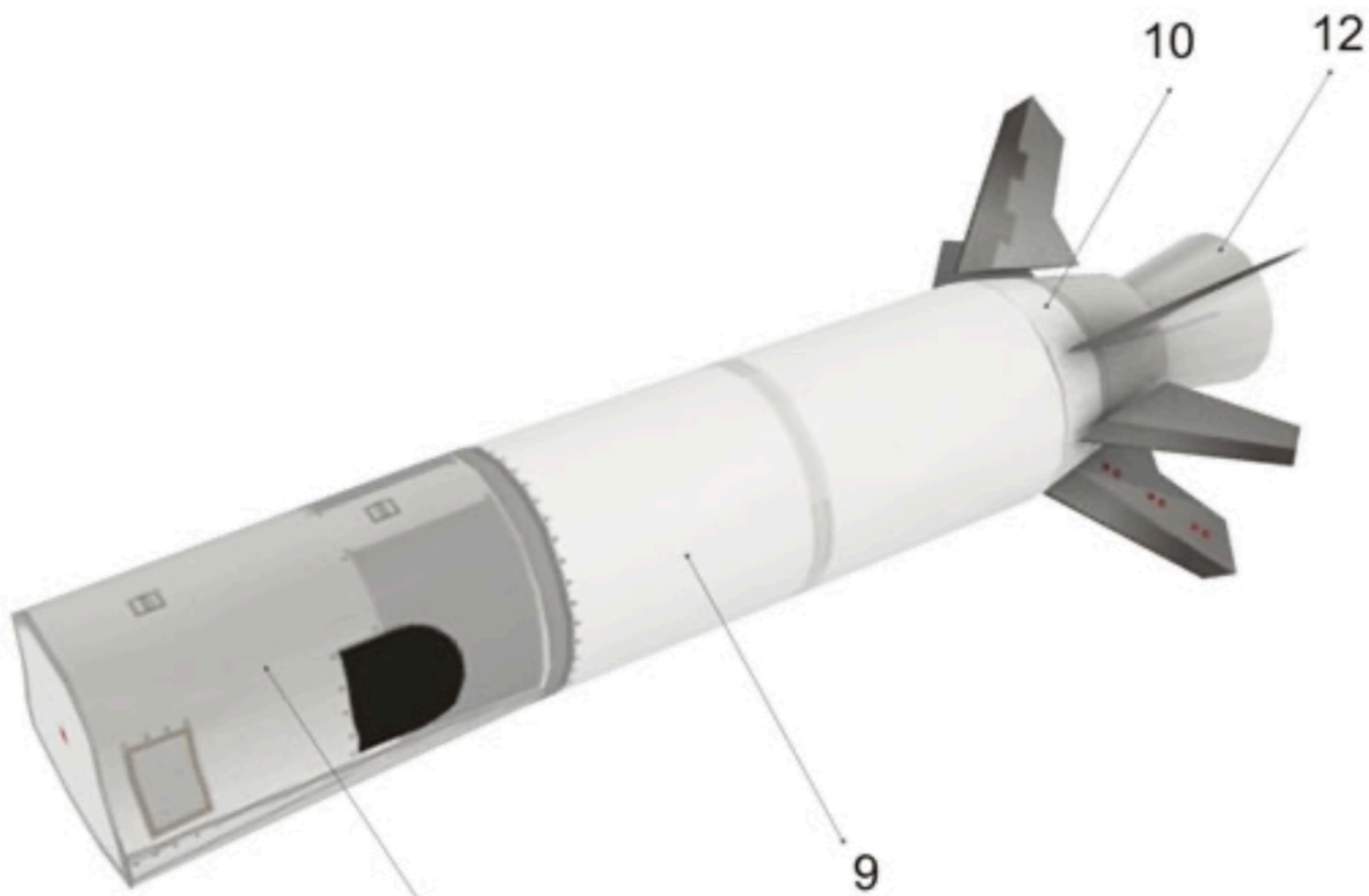


Designed by Julius Perdana

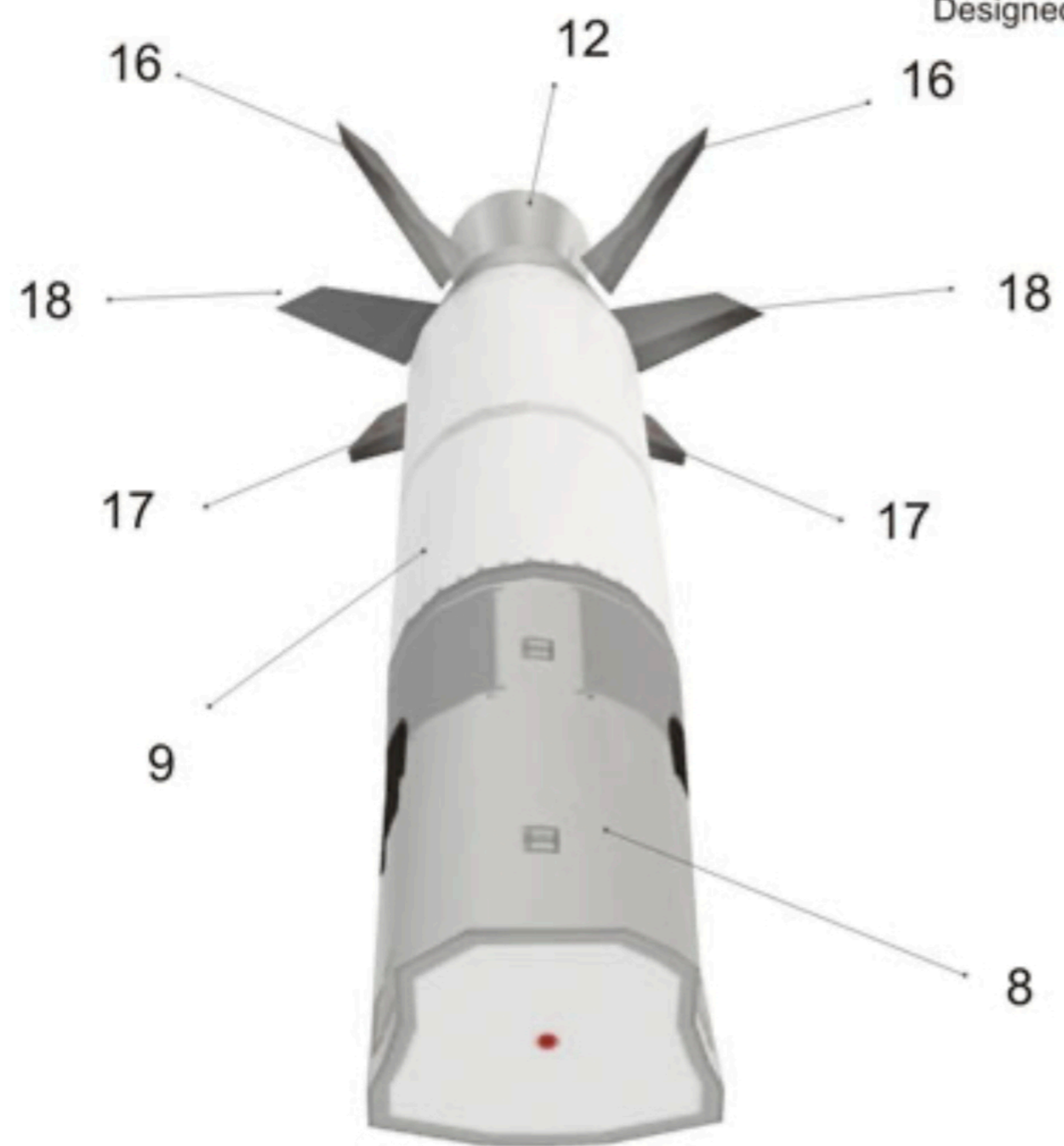


paper-replika.com

Designed by Julius Perdana

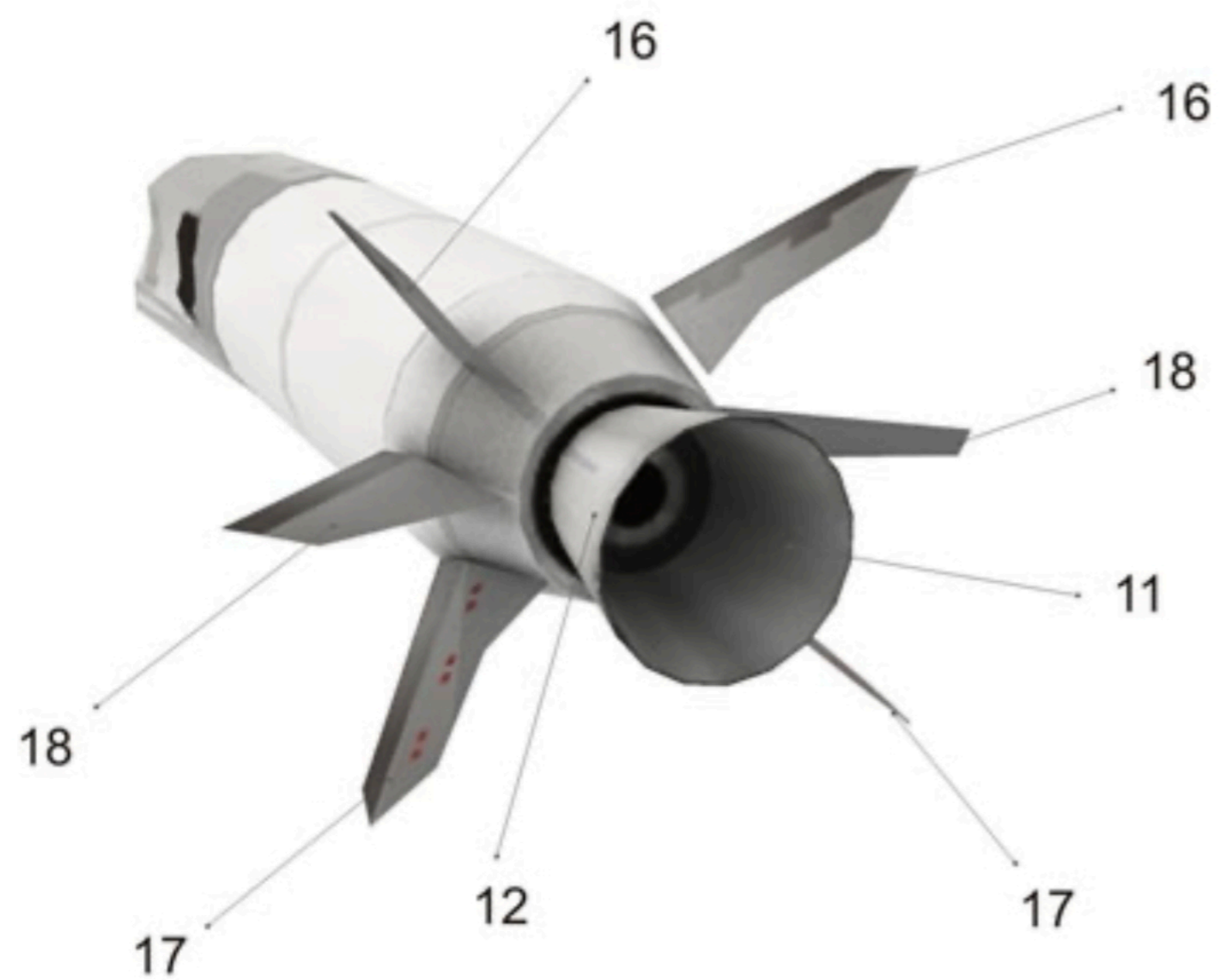


Designed by Julius Perdana



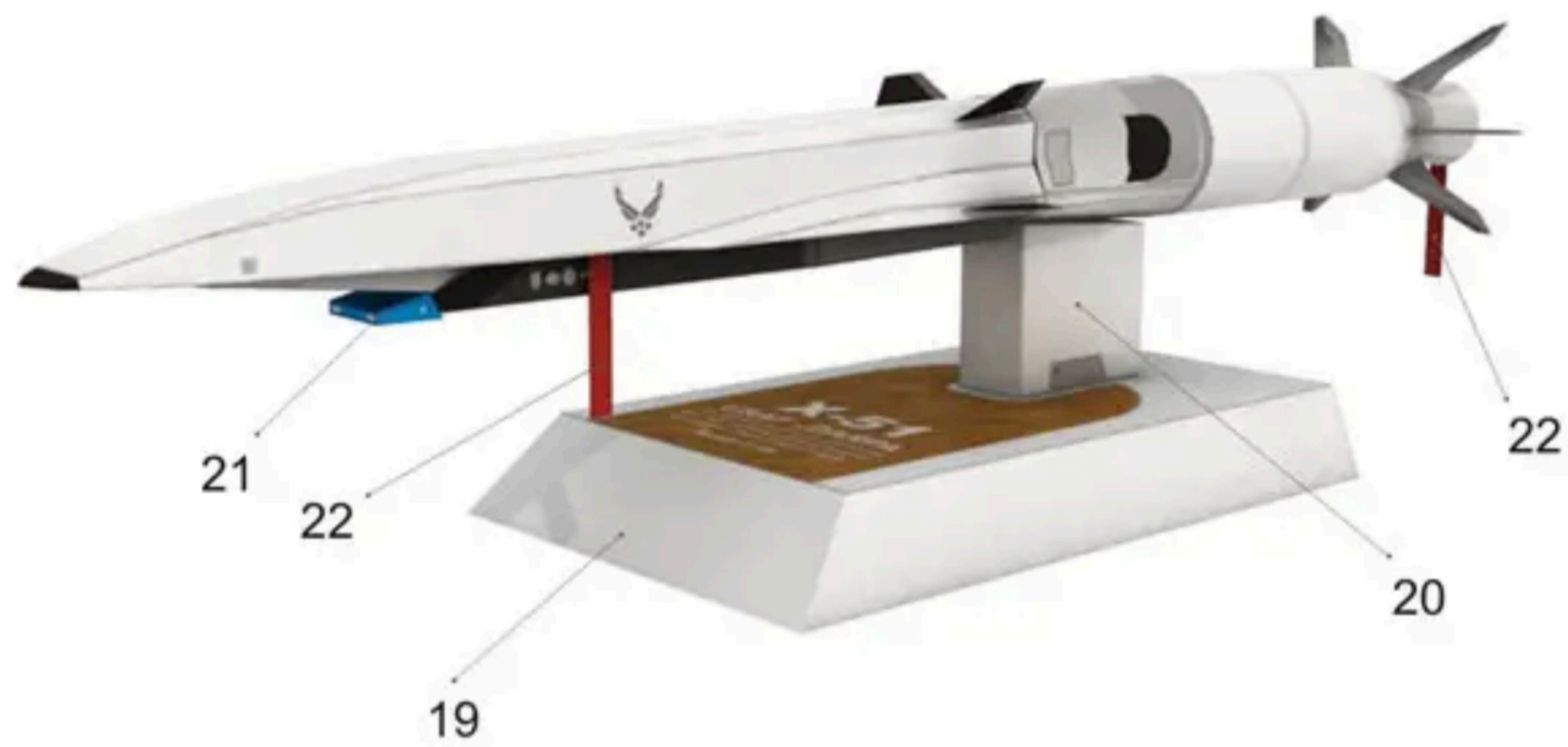
paper-replika.com

Designed by Julius Perdana



X

Designed by Julius Perdana



← Ads by Google

Send feedback

Why this ad? ▶

